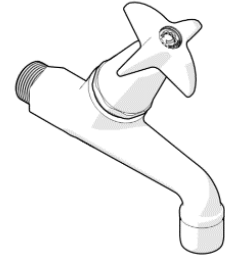


Product Installation Guidelines

Deluxe Bib Taps

PRODUCT CODES:

- 49903
- 49982
- 49986
- 49906



SPECIFICATIONS

- Vandal resistant handle with locking ring to secure the handle to the spindle which may only be removed using key provided.
- Easy to install.
- Bright chrome plate finish for easy cleaning and added durability
- Australian Made; therefore, spare parts and support are available locally, reducing costs of down time on maintenance.

IMPORTANT: All Ezy-Twist® drinking taps are tested in accordance with AS/NZS 3718 and leave our premises in good working order.

TECHNICAL DATA

Inlet	½" BSP - Male	
Outlet	Aerator	
Headwork	Jumper Valve	
Working Pressure Range (kPa)	Min	50
	Max	500
Working Temperature Range (°C)	Min	5
	Max	80
Nominal Flow Rate (LPM)	7.8	
Finish	Chrome	

NOTE: Galvin Specialised continually strive to improve their products. Specifications may change without notice.

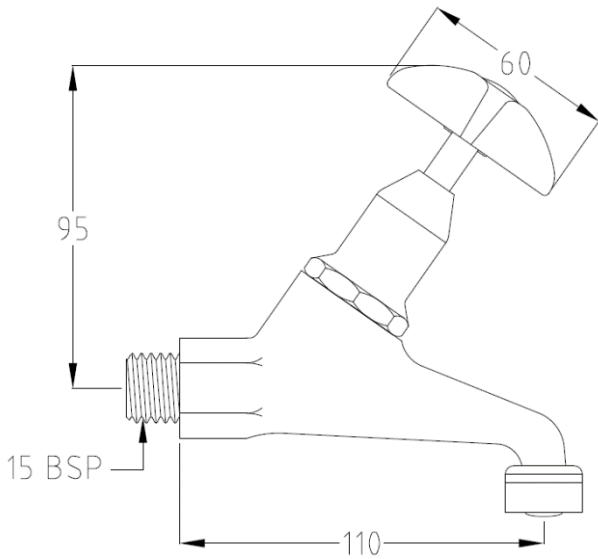
TOOLS REQUIRED

- Spanner
- Thread tape

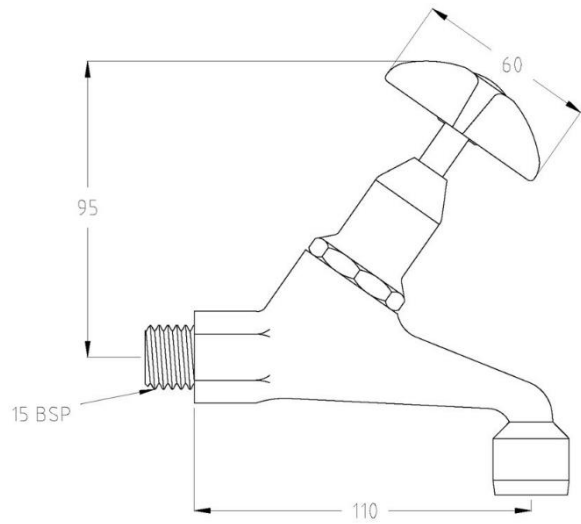
PRE-INSTALLATION

Note: Before installation, all lines must be flushed. Galvin Engineering recommends the installation of strainers and pressure reducing valves to ensure clean consistent supply. Debris or poor water quality could cause the push button to seize or fail to seal.

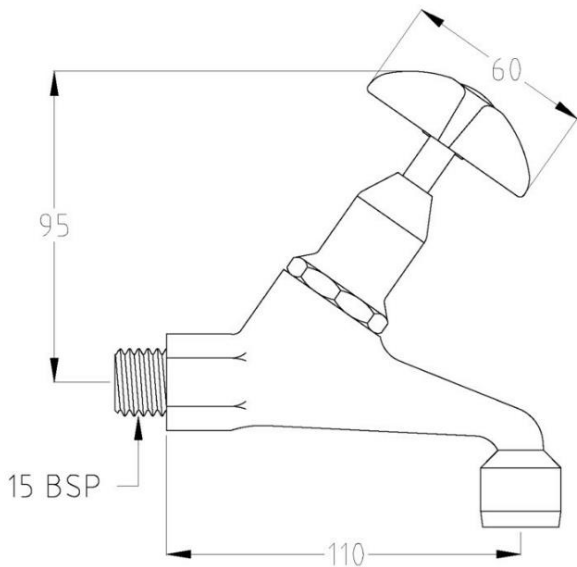
DIMENSIONS



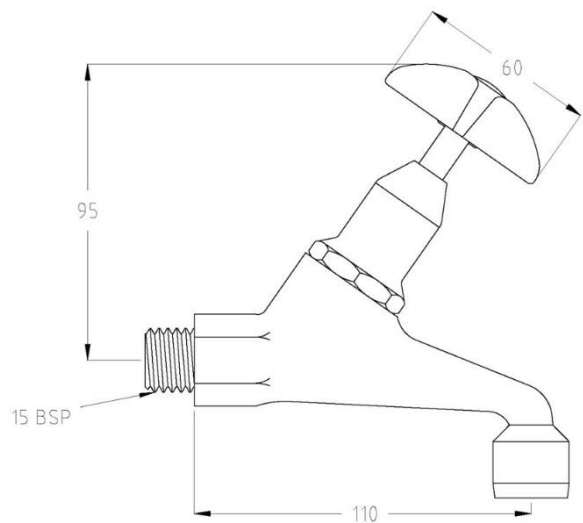
49903



49882



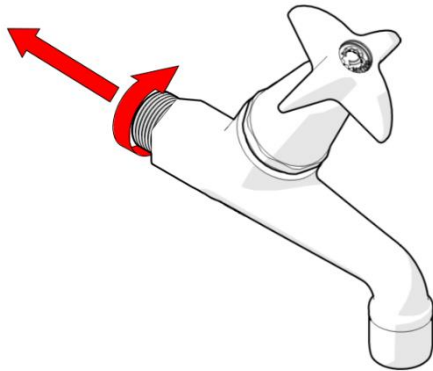
49906



49886

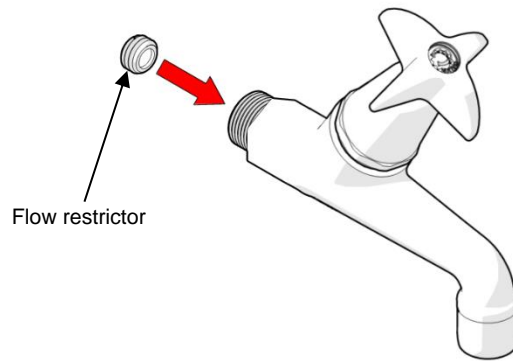
INSTALLATION

IMPORTANT: Galvin Specialised products must be installed in accordance with these installation instructions and in accordance with AS/NZS 3500, the PCA and your local regulatory requirements. Water and/or electrical supply conditions must also comply to the applicable National and/or State standards. Failing to comply with these provisions shall void the product warranty and may affect the performance of the product.



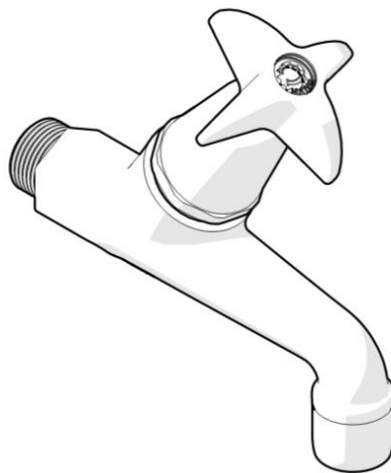
1. Fit tap assembly

- The drinking taps are fitted with flow restrictors
- When applying thread tape or sealant to the inlet, ensure the opening is not obscured. Failure to do so may restrict or block the flow restrictor, affecting the flow of water.



2. Replacing flow restrictor if required

- Major restrictions to the supply pressure (eg. refrigeration units) may affect the water stream and the flow restrictor may need replacing with a flow restrictor of greater capacity to increase the flow. However, using a different flow restrictor will void the 6-star rating.
- **Never operate without the flow restrictor, as Ezy-Twist® Drinking Taps will deliver full mains pressure with unrestricted flow**



3. Testing

- Once fitted turn on water and check for leaks and correct operation

TROUBLESHOOTING

PROBLEM	CAUSE	RECTIFICATION
Water is not flowing or inconsistent flow	Blocked flow restrictor / dirt in the cartridge / water supply not on	Remove flow regulator from outlet and remove debris. Install an inline strainer to stop further blockages. Ensure water supply is turned on.
Continous flow of water	Top assembly cartridge loose or internally obstructed or damaged.	Remove cartridge, clean with water and re-grease spindle if required.
Rate of flow inadequate	The flow restrictor may not be satisfactory due to inadequate supply pressure.	Remove flow restrictor and replace with a flow restrictor of different capacity to suit (available from Galvin Specialised)
Button hard to activate	Mains pressure may be too high	Reduce mains pressure to below 500kPa (70 PSI)
Not time – water shuts off upon release	Small spring at the bottom of the cartridge piston dislodged	Relocate spring, regrease spindle if required.

WARRANTY

The warranty set forth herein is given expressly and is the only warranty given by the Galvin Engineering Pty Ltd. With respect to the product, Galvin Engineering Pty Ltd makes no other warranties, express or implied. Galvin Engineering Pty. Ltd. hereby specifically disclaims all other warranties, express or implied, including but not limited to the implied warranties of merchantability and fitness for a particular purpose.

Galvin Engineering Pty Ltd products are covered under our manufacturer’s warranty available for download from www.galvinengineering.com.au Galvin Engineering Pty Ltd expressly warrants that the product is free from operational defects in workmanship and materials for the warranty period as shown on the schedule in the manufacturer’s warranty. During the warranty period, Galvin Engineering will replace or repair any defective products manufactured by Galvin Engineering without charge, so long as the terms of the Manufacturer’s warranty are complied with.

The remedy described in the first paragraph of this warranty shall constitute the sole and exclusive remedy for breach of warranty, and Galvin Engineering Pty Ltd shall not be responsible for any incidental, special or consequential damages, including without limitation, lost profits or the cost of repairing or replacing other property which is damaged if this product does not work properly, other costs resulting from labour charges, delays, vandalism, negligence, fouling caused by foreign material, damage from adverse water conditions, chemical, electrical or any other circumstances over which Galvin Engineering has no control. This warranty shall be invalidated by any abuse, misuse, misapplication, improper installation or improper maintenance or alteration of the product.